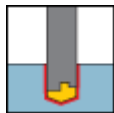
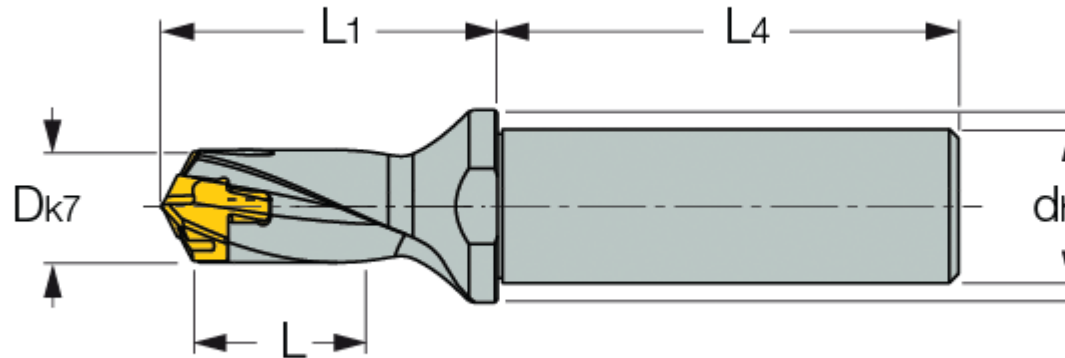




DCN R-1.5D : SUMOCHAM 1.5xD drills with indexable heads, cylindrical shanks and internal coolant holes. Feature 4 standard drilling



Designation	D min	D max	L	d	D3	L1	L4	Po. Size
DCN 080-012-12R-1.5D	8.00	8.90	12.0	12.00	16.00	27.9	45.0	8.0
DCN 090-014-12R-1.5D	9.00	9.90	14.0	12.00	16.00	29.3	45.0	9.0
DCN 100-015-16R-1.5D	10.00	10.90	15.0	16.00	20.00	31.2	48.0	10.0
DCN 110-017-16R-1.5D	11.00	11.90	17.0	16.00	20.00	33.1	48.0	11.0
DCN 120-018-16R-1.5D	12.00	12.90	18.0	16.00	20.00	35.0	48.0	12.0
DCN 130-020-16R-1.5D	13.00	13.90	20.0	16.00	20.00	37.1	48.0	13.0
DCN 140-021-16R-1.5D	14.00	14.90	21.0	16.00	20.00	41.1	48.0	14.0
DCN 150-023-20R-1.5D	15.00	15.90	23.0	20.00	25.00	46.2	50.0	15.0
DCN 160-024-20R-1.5D	16.00	16.90	24.0	20.00	25.00	49.3	50.0	16.0
DCN 170-026-20R-1.5D	17.00	17.90	26.0	20.00	25.00	52.4	50.0	17.0
DCN 180-027-25R-1.5D	18.00	18.90	27.0	25.00	32.00	55.5	56.0	18.0
DCN 190-029-25R-1.5D	19.00	19.90	29.0	25.00	32.00	58.5	56.0	19.0
DCN 200-030-25R-1.5D	20.00	20.90	30.0	25.00	32.00	61.6	56.0	20.0
DCN 210-032-25R-1.5D	21.00	21.90	32.0	25.00	32.00	64.7	56.0	21.0
DCN 220-033-25R-1.5D	22.00	22.90	33.0	25.00	32.00	67.8	56.0	22.0
DCN 230-035-32R-1.5D	23.00	23.90	35.0	32.00	42.00	70.9	60.0	23.0
DCN 240-036-32R-1.5D	24.00	24.90	36.0	32.00	42.00	74.0	60.0	24.0
DCN 250-038-32R-1.5D	25.00	25.90	38.0	32.00	42.00	77.0	60.0	25.0

Hole tolerance: k7 in average conditions. However, it can be higher or lower according to machine and tooling conditions